

C2648 Service Parts

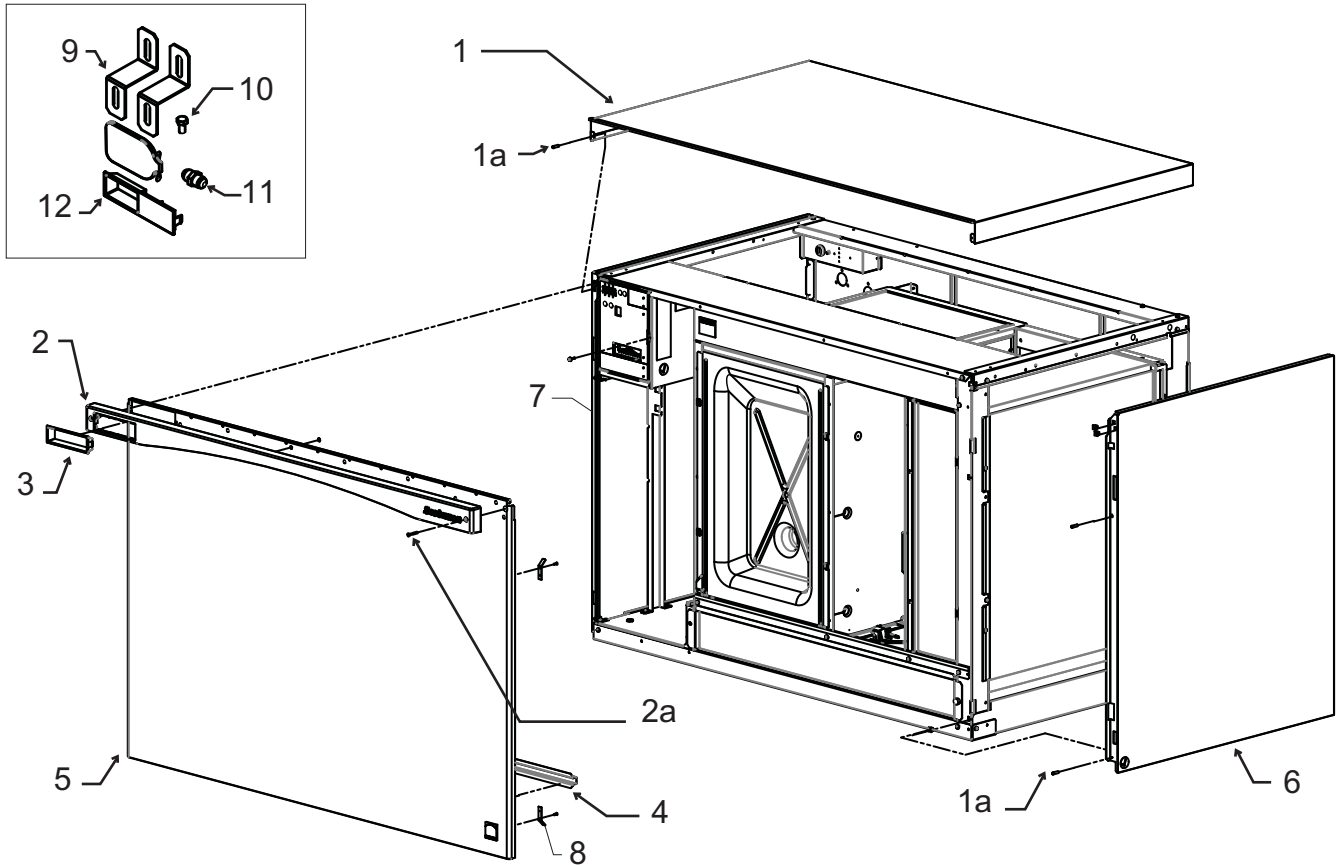
This is the service parts list for the C2648 and PRC241.

Parts Table of Contents

Exterior Panels	Page 2
Cabinet Structure	Page 3
Interior Components, Left View	Page 4
Interior Components, Right View	Page 5
Refrigeration System	Page 6
Freezing Compartments	Page 7
Control Box Components	Page 8
PRC241 Condenser	Page 9
Schematic Diagram	Page 10
Wiring Diagram	Page 11

C2648 Service Parts

Exterior Panels



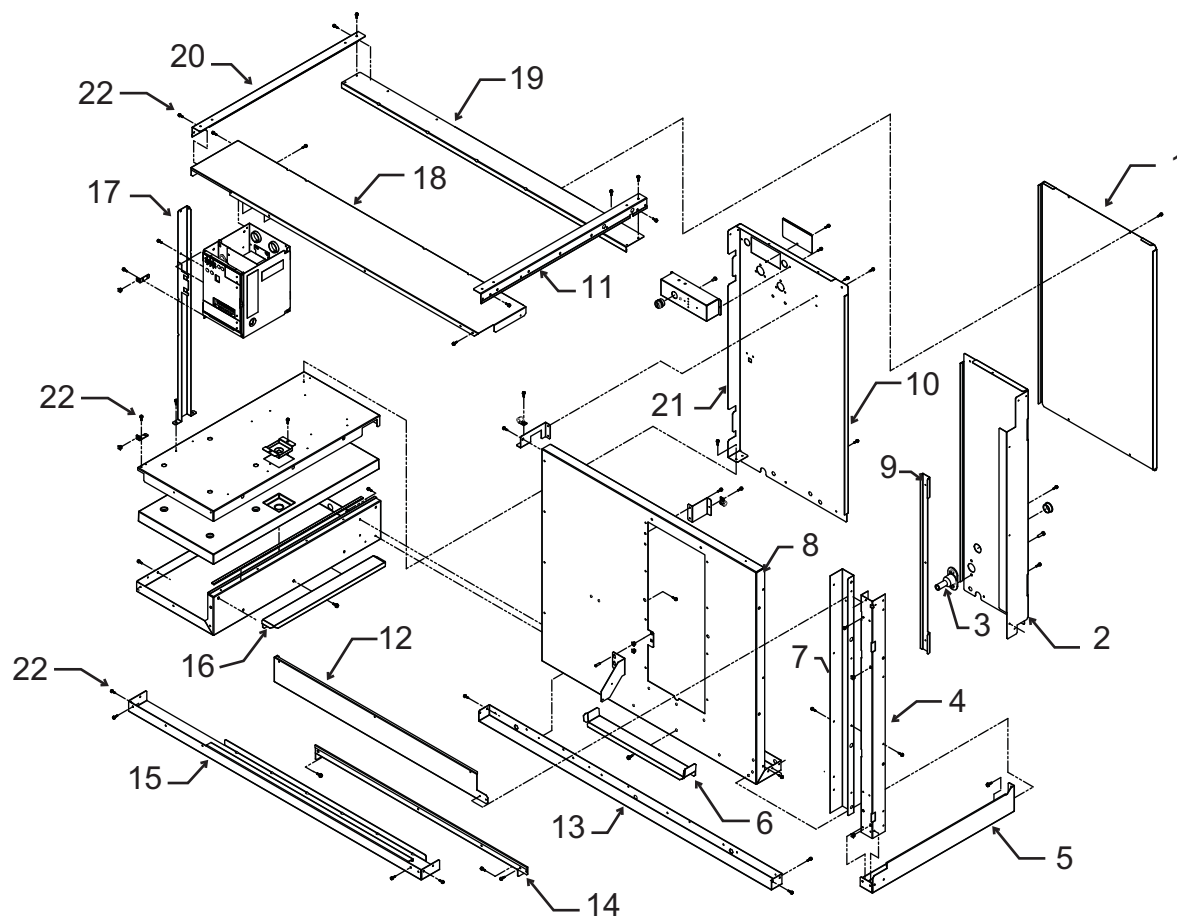
Item Number	Part Number	Description
1	A39777-021	Top panel
1a	03-1404-12	Screw
2	02-4214-03	Trim strip
2a	03-1735-03	Screw
3	02-4284-01	Bezel
4	A39045-001	Stiffener
5	A39740-021	Front panel assembly, includes items 2, 2a, 3, 4, and 8.
6	A39741-021	Right side panel
7	A39776-021	Left side panel
8	A39751-001	Side panel bracket

Items shipped in installation package:

9	A39708-001	Bracket
10	03-1405-13	Screw
11	16-1036-01	Flare union
12	02-4284-02	Bezel, half

C2648 Service Parts

Cabinet Structure



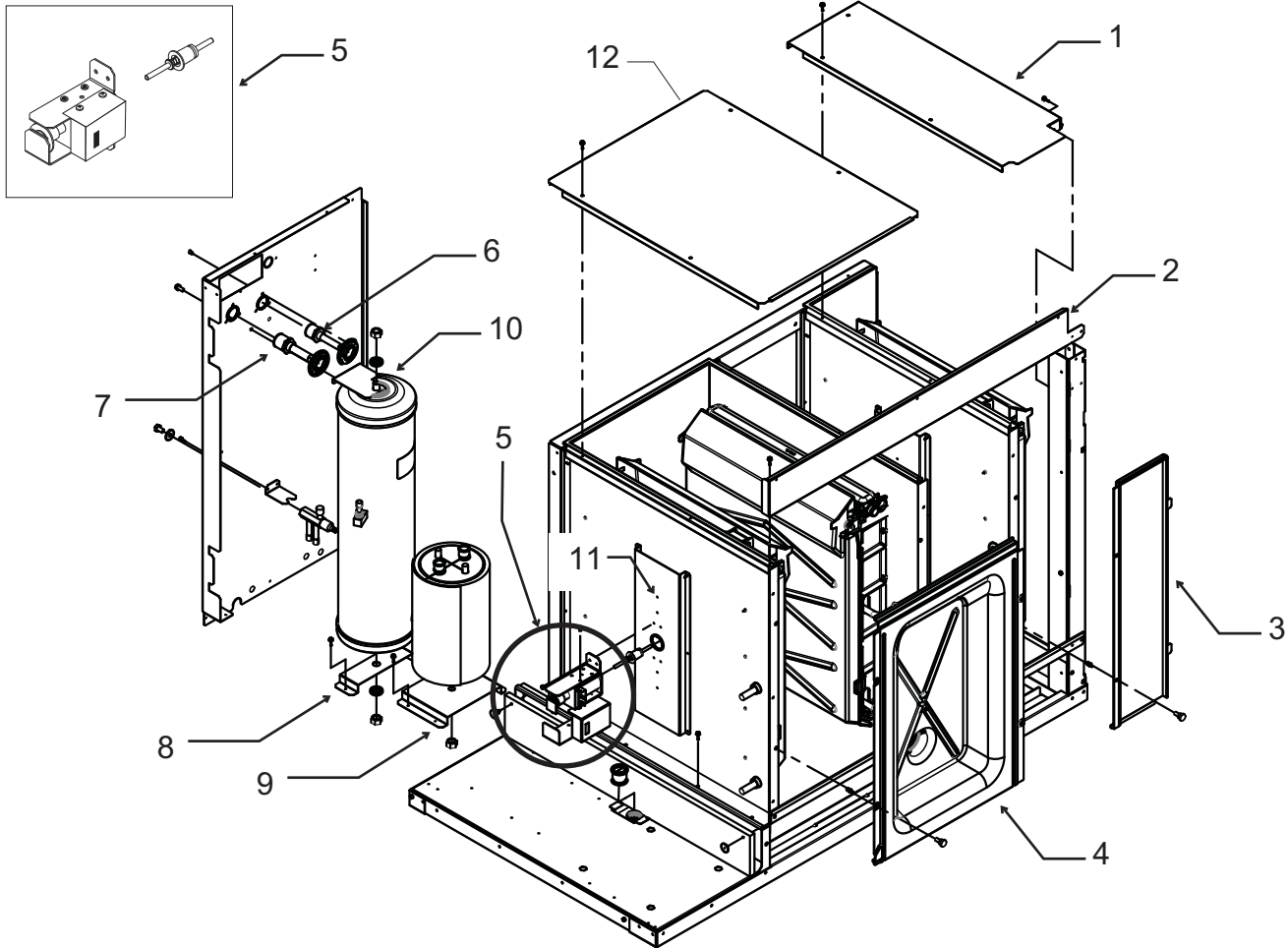
Item Number	Part Number	Description	Item Number	Part Number	Description
			19	A39653-001	Back panel brace
			20	A39652-001	Support bracket
1	A39703-001	Back panel, ctr	21	A39641-001	Back panel
2	A39642-001	Back panel, rt	22	03-3868-02	Screw, phillips hex
3	02-3692-21	Drain fitting			
4	A39639-001	Right support, outer			
5	A39635-001	Base, right			
6	A39659-001	Sump bracket, back			
7	A39640-001	Right support, inner			
8	A39638-001	Back wall			
9	A39779-001	Rt side panel bracket			
10	A39641-001	Back panel, left			
11	A39652-001	Support bracket			
12	A39651-001	Evap top support			
13	A39634-001	Back brace			
14	A39649-001	Evap support			
15	A39636-001	Front brace			
16	A39658-001	Sump support, left			
17	A39650-001	Control box support			
18	A39646-001	Front support bracket			

November 2010

Page 3

C2648 Service Parts

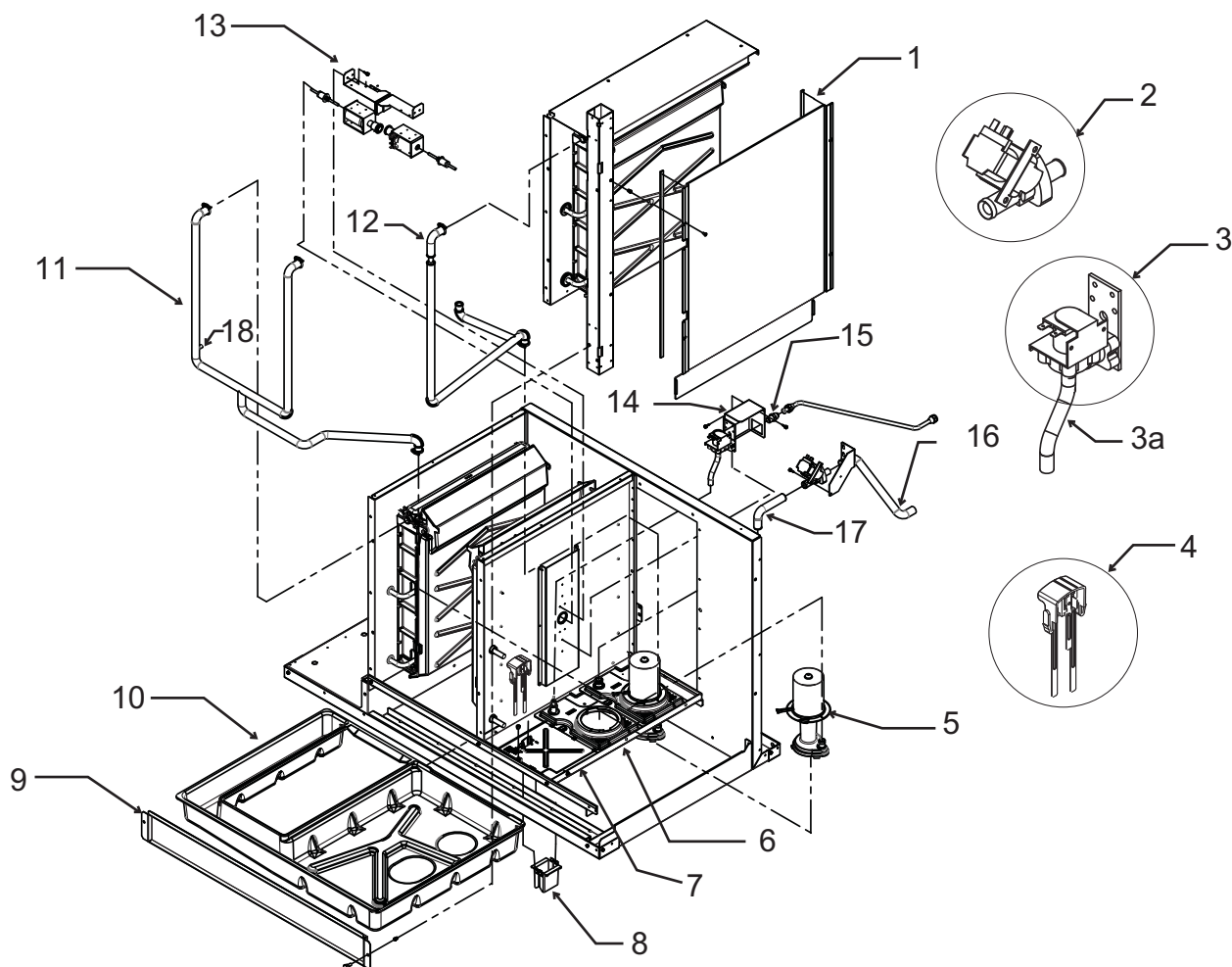
Interior Components, Left View



Item Number	Part Number	Description
1	A39704-001	Evap top, 1 plate
2	A39651-001	Evap top support
3	A39705-001	Evap cover, right
4	02-4184-01	Evap cover, center
5	12-3036-22	Harvest assist solenoid
6	16-0850-01	Quick connect, 1/2
7	16-0850-05	Quick connect, 5/8
8	A37212-001	Receiver bracket bottom
9	A37948-001	Accumulator bracket
10	A37211-001	Receiver bracket top
11	A39657-001	HA mounting bracket
12	A39706-001	Evap top, 2 plate

C2648 Service Parts

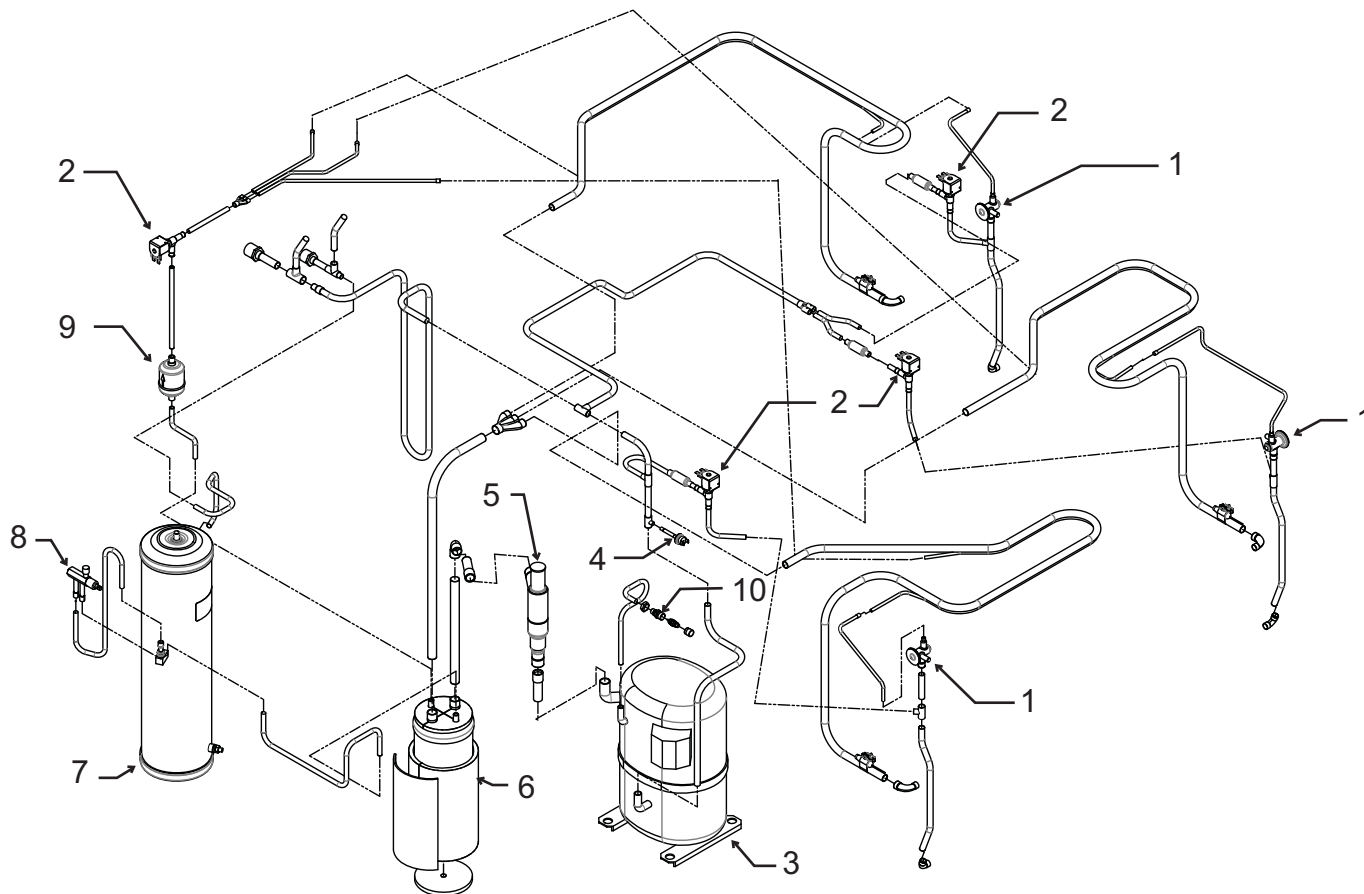
Interior Components, Right View



Item Number	Part Number	Description	Item Number	Part Number	Description
1	A39778-001	Right side liner	11	02-4552-01	Hose, 2 plates
2	11-0514-01	Purge valve	12	02-4553-01	Hose, 1 plate
3	12-2922-03	Inlet water sol valve	13	A39647-001	Harv assist bracket
4	A39829-001	Water level sensor	14	A39808-001	Inlet water vlve bracket
5	12-2920-22	Water pump	15	16-0355-00	Coupling half
6	02-4177-04	Pump bracket, front	16	A39655-002	Drain hose, out
	02-4177-05	Pump bracket, back	17	A39655-001	Drain hose, in
7	02-4166-02	Sump cover	18	11-0572-21	Temp sensor set
8	02-4332-01	Probe cover			
9	A39702-001	Sump cover, front			
10	02-4554-01	Sump			

C2648 Service Parts

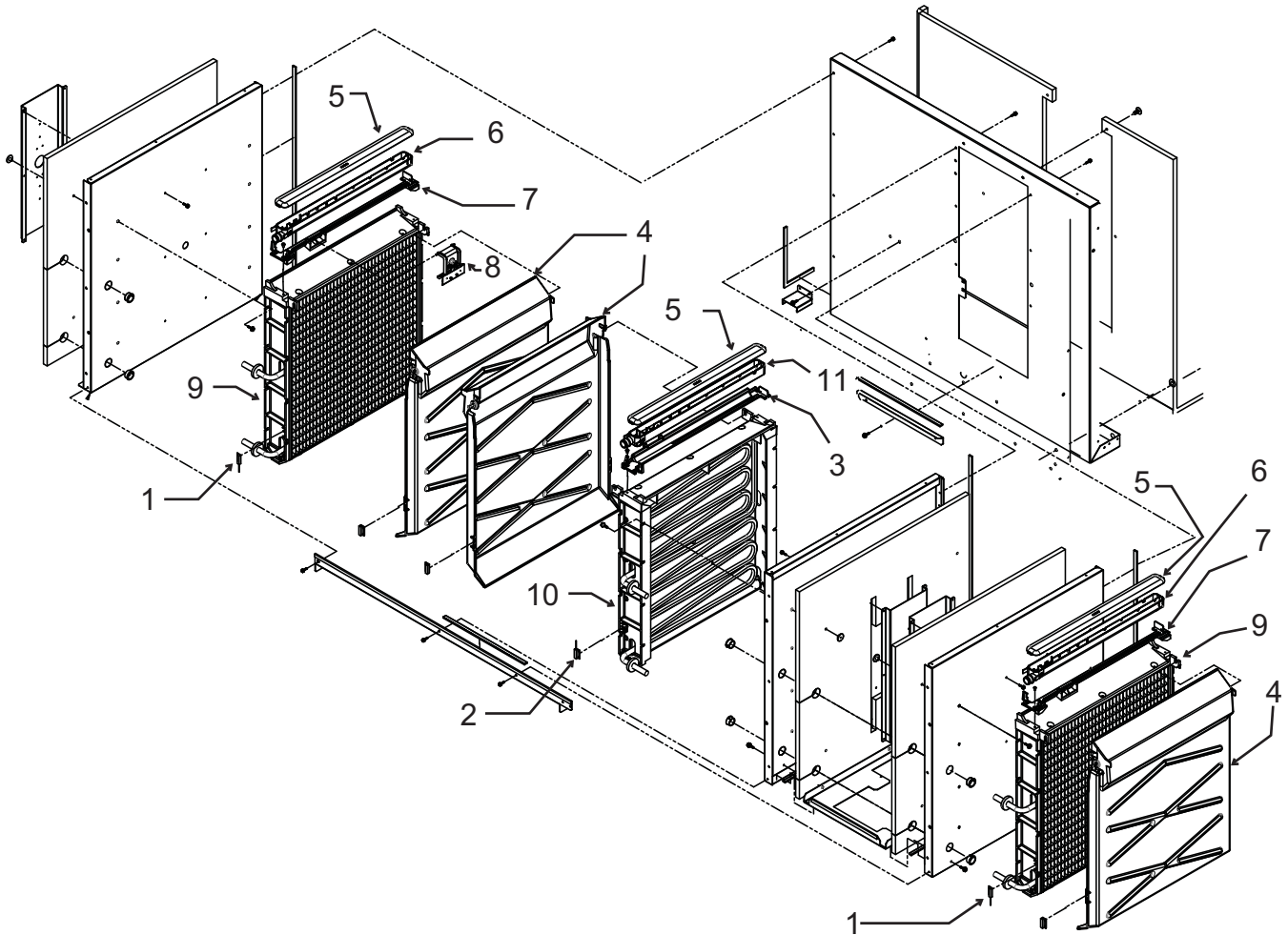
Refrigeration System



Item Number	Part Number	Description
1	16-1142-02	TXV
	19-0599-06	Insulation for TXV
2	11-0591-01	Hot gas valve / liquid line valve, no coil
2a	11-0590-02	Coil for HGV
3	18-8923-23	Compressor, 3 phase. Overload is internal. CS27K6E-TF5-276
4	11-0501-22	High pressure cut out
5	16-1096-23	OPR valve
6	16-1122-21	Accumulator with insulation
7	16-1177-01	Receiver
8	16-1030-01	Receiver outlet valve
9	02-4557-01	Dryer
10	16-1137-01	Access valve seat
	16-1139-01	Access valve core
	16-1140-01	Access valve cap

C2648 Service Parts

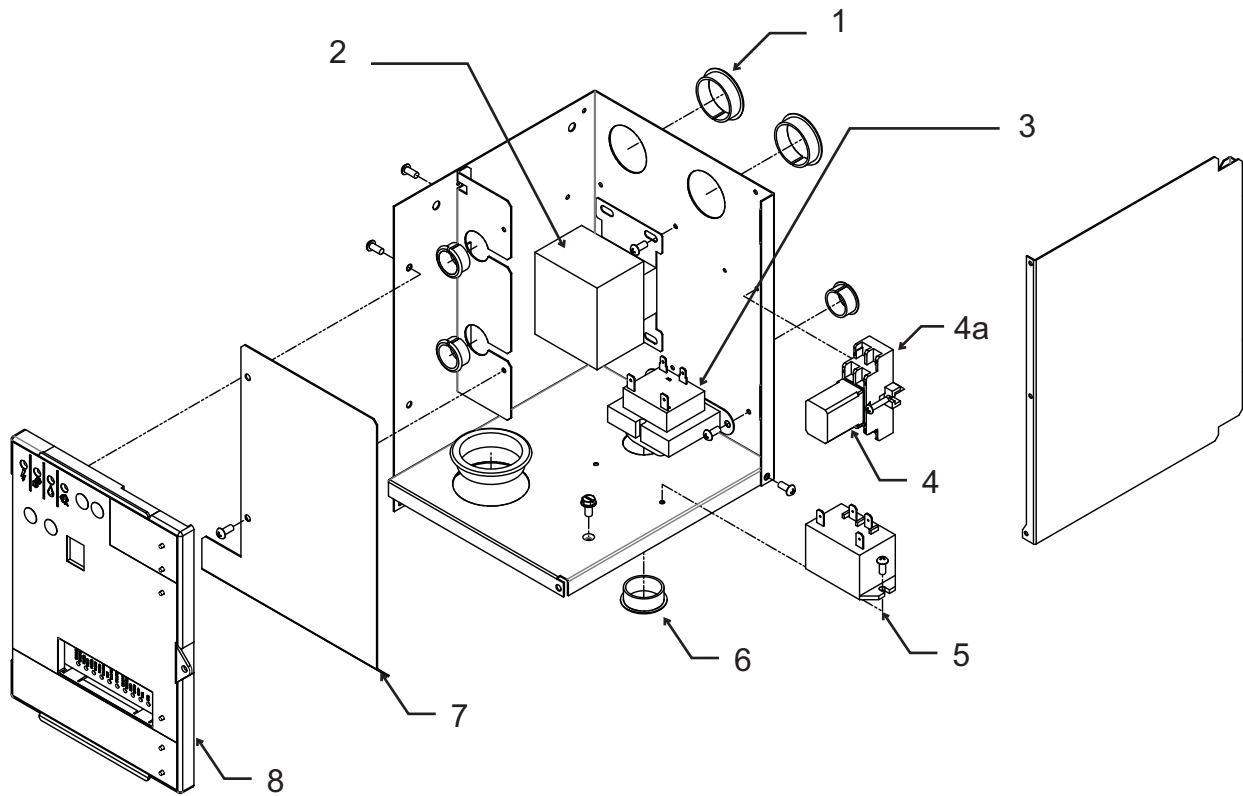
Freezing Compartments



Item Number	Part Number	Description
1	11-0563-06	Curtain switch
2	11-0563-03	Curtain switch
3	02-4205-02	Distributor mounting bracket
4	02-4611-21	Curtain, includes magnet
5	02-4065-01	Water distributor cover
6	02-4064-01	Water distributor
7	02-4205-01	Distributor mounting bracket
8	A39031-001	Ice thickness sensor
9	A38628-021	Left evaporator, small cube
	A38628-022	Left evaporator, medium cube
10	A38628-023	Right evaporator, small cube
	A38628-024	Right evaporator, medium cube
11	02-4064-02	Water distributor

C2648 Service Parts

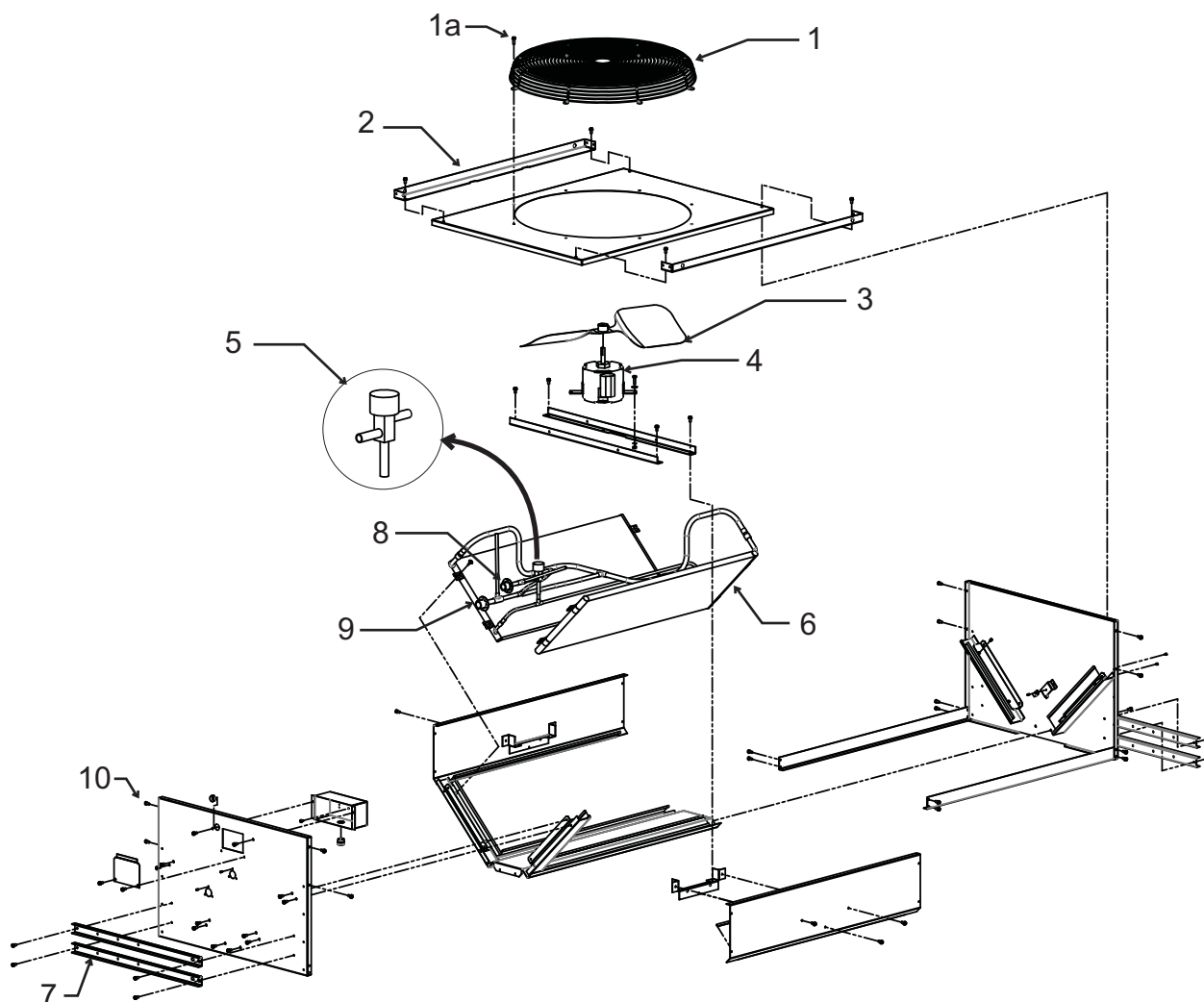
Control Box Components



Item Number	Part Number	Description
1	12-1213-20	Snap bushing
2	12-2533-02	Contactors
3	12-2924-02	Transformer
4	12-2949-03	Relay
4a	12-2949-02	Base
5	12-3031-01	High capacity relay
6	12-1213-11	Snap bushing
7	A39216-001	Barrier
8	11-0550-27	Controller
	02-4076-01	Control box door
	02-4189-01	Overlay label

C2648 Service Parts

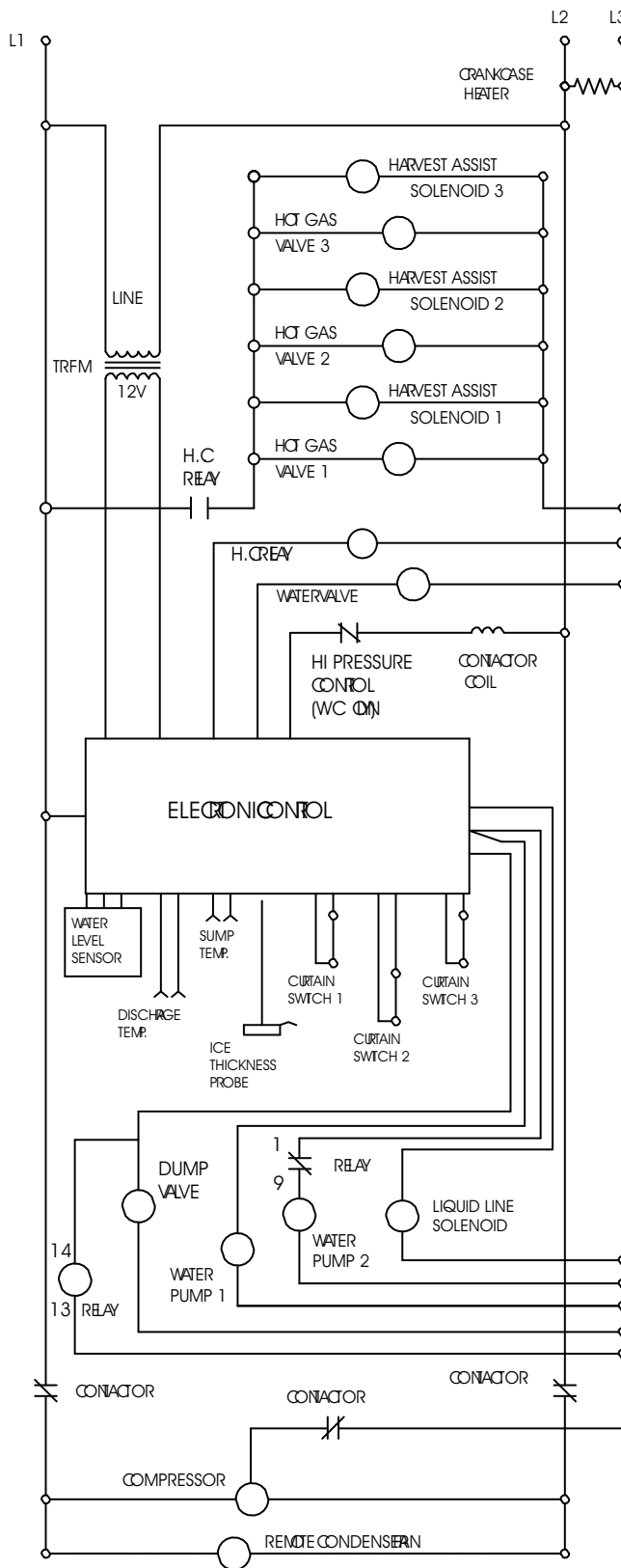
PRC241 Condenser



Item Number	Part Number	Description	Not Shown:
1	02-3770-01	Fan Guard	
1a	03-1645-03	Screw	KTEL4 set of 4 line set ends
2	A39736-001	Leg brace	
3	18-8820-01	Fan blade	
4	12-2717-01	Fan motor	
	18-8878-01	Fan motor capacitor	
5	11-0422-22	Head pressure valve	
6	18-8945-22	Condenser coil	
7	A37169-001	Leg	
8	16-0850-01	Liquid quick connect	
9	16-0850-05	Disch. quick connect	
10	03-1645-01	Screw, fits legs & other	

C2648 Service Parts

Schematic Diagram



C2648 Service Parts

Wiring Diagram

17-3317-01

USE COPPER CONDUCTORS ONLY

▲ DASHED LINES INDICATE FIELD WIRING WHICH MUST BE INSTALLED IN ACCORDANCE WITH THE NATIONAL ELECTRICAL CODE AND ALL STATE AND LOCAL CODES.

